

Mori Pendant

Pendants



50 Greene St
New York NY 10013
T +1 212 388 1621
sales@rbw.com



For 2D & 3D drawings of all products, including CAD, Revit and IES files, please visit rbw.com

Generate Date: Tue Jan 04 2022

DESCRIPTION

This super simple, organic, glowing sconce is distinguished by its pared-down silhouette. A simple cross-wire frame is fully cocooned in woven threads, then sprayed with a matte lacquer finish. The resulting built-in shade emits a lantern-like, ambient light, ideally installed in multiples.

MATERIALS

Resilient webbed nylon skin over wire frame. Finished with durable matte lacquer.

PERFORMANCE

530 lm

Power Consumption 9W

Luminaire Watts 9W

59 lm/W

90 CRI

LED LIFESPAN

50k hours

CERTIFICATION

UL Listed

Suitable for Damp Locations



SUSPENSION

White 5" round flat canopy

Standard 72" white cord. Standard Hang Height 66". Minimum Hang Height 6"

Cord extension available (up to 150"). Field trimmable

PRODUCT DIMENSIONS

Squash 24 L x 24 W x 21 in H | Gourd 13 L x 13 W x 17 in H | Nut 24 L x 13 W x 20 in H

PRODUCT WEIGHT

2 lbs / 1 kg

DIMENSIONAL WEIGHT

4 lbs

YOUR PRODUCT CODE

MP- [] - [] - [] - [] - []

Specification Logic**DIFFUSER STYLE**

Gourd (13"L x 13"W x 16"H)	G
Nut (24"L x 12"W x 20"H)	N
Squash (24"x 24"x 20"H)	S

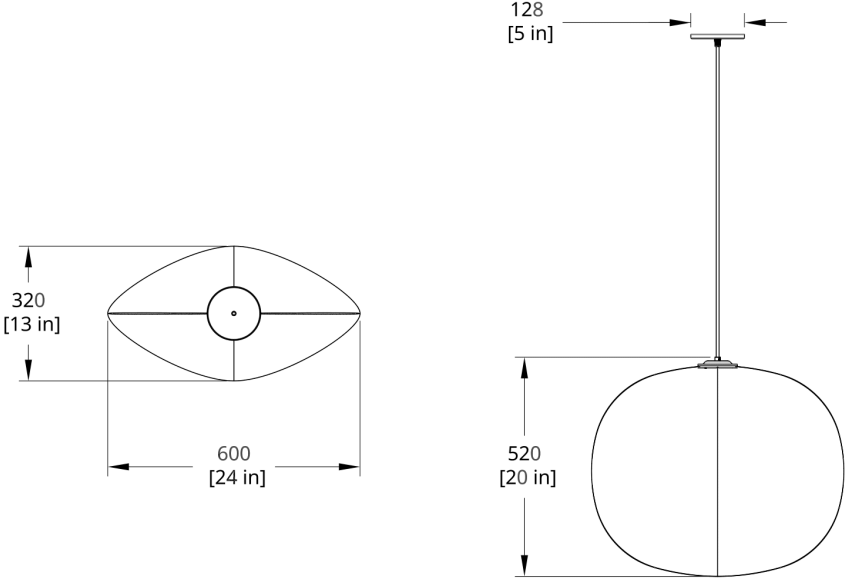
CCT

2200K (candle light)	22
2700K (warm white)	27
3000K (soft white)	30
3500K (neutral white)	35

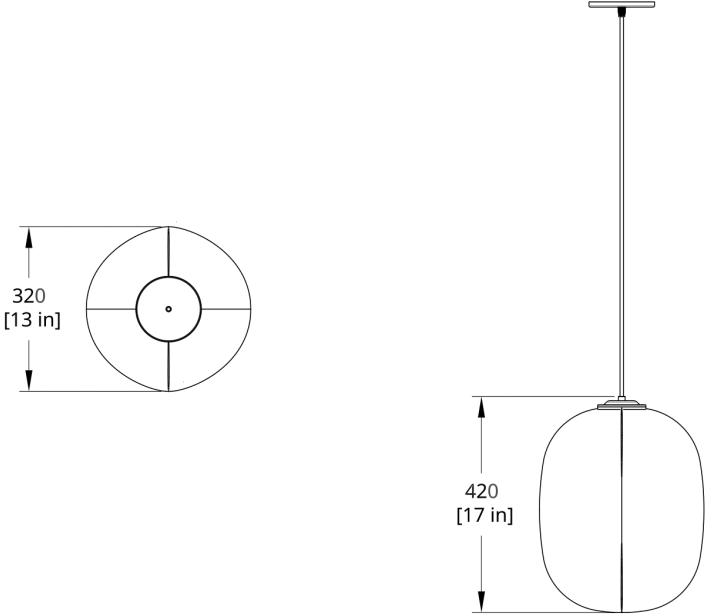
INPUT / CONTROL / POWER

110-120V Input TRIAC Control 10% Dimming	120_TR_LINE
110-120V Input TRIAC / ELV / 0-10V, 1% Dimming	120_TM_DEX
110-277V Input Triac, 5% Dimming	220_10_DEX
220-240V Input ELV Reverse Phase, 1% Dimming	220_ELV_DEX
220-240V Input TRIAC / Forward Phase, 1% Dimming	220_TR_DEX
110-277V Input 0-10V, 0.1% Dimming	277_10_DEX
110-277V Input DALI, 0.1% Dimming	277_DL_DEX

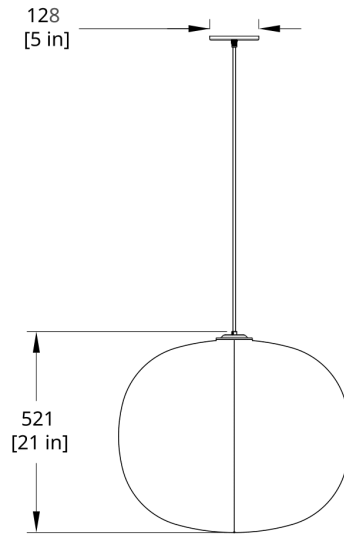
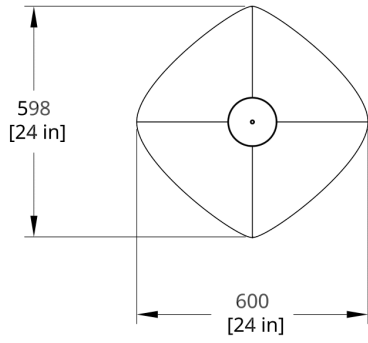
Drawings



MP-N Mori Nut Pendant Dimension



MP-G Mori Gourd Pendant Dimension



MP-S Mori Squash Pendant Dimension