

CEILING SURFACE/PENDANT/CATENARY/WALL MOUNT/POLE MOUNT/4" POST TOP

TYPE: \_\_\_\_\_ QUANTITY: \_\_\_\_\_ PROJECT: \_\_\_\_\_

CATALOG NUMBER:

MODEL LED SELECTION MOUNT CCT VOLTAGE FINISH OPTION OPTION



POLE MOUNT

- 1- Performance Series
- 2- Corrosion resistant diecast aluminum housing
- 3- High efficiency LED light engine with acrylics optics
- 4- Clear tempered glass
- 5- All stainless steel hardware



## MATERIALS

Clermont is made of aluminum diecast offering exceptional precision and durability. The main housing is sealed with durable gasket.

Features a high efficiency LED light engine, mounted on a recessed heatsink whose pattern is optimized for heat dissipation. The driver is preinstalled inside the main housing, sealed with proper gasket, and secured with four captives screws which makes it easy for maintenance.

## ELECTRICAL

**DRIVER** Standard driver is 0-10V dimming-ready (dims to 10%) with: 120-277 multi-volt compatibility (50-60Hz), operating temperature range of -40°C to +55°C/-40°F to +131°F, output over voltage protection, output over current protection and output short circuit protection with auto-recovery. Optional 347/480V available

**LED** Type II, III, IV or V light distribution via high performance optical lenses. Offered in 2700K, 3000K, 3500K, 4000K. See the CCT options for details.

Optional true amber LED for turtle sensitive areas.

Wavelengths: 585nm to 597nm

## LIFE

60,000hrs L<sub>70</sub>B<sub>50</sub> (based on LM-80 report for lumen maintenance)

## FINISH

Five-stage preparation process includes preheating of cast aluminum parts for air extraction. Polyester powder coating is applied through an electrostatic process, and oven cured for long term finish.

## MOUNTING

Maximum weight: 27 lbs (12 kg)

Several mounting options are offered with this product: catenary, wall mount, ceiling mount, pendant, post-top and pole mount.

For SPG, STM, CK, WM mounting: The mounting plate is designed to fit on a 4" (102mm) octagonal electrical box using 3.5" (89mm) C/C mounting holes.

For PM mounting: designed to fit on 4" or 5" OD pole.

For PT mounting: designed to fit on 4" OD pole with 1/4" or 1/8" wall thickness.

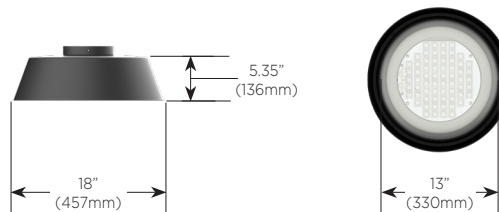
For CAT3: see mounting details on page 3.

## CERTIFICATION

Certified and approved as per CSA C22.2 No.: 250.0 standard and ANSI/UL 1598 standard, for wet location. Rated IP65/IK10.

Photometric testing performed by an independent laboratory in accordance with IES LM-79-08 standards at 25°C.

Lumen depreciation in accordance with IESNA LM80 standards.



## LUMINAIRE SELECTION

### 1 MODEL



CT185

### 2 LED LIGHT SELECTION (4000K/80CRI)

#### WHITE LED SELECTION

TYPE	SUFFIX	DELIVERED LUMENS	INPUT WATTS
	<input type="checkbox"/> L1L50-TYP2	5349	40W
	<input type="checkbox"/> L1L80-TYP2	7811	60W
TYPE II	<input type="checkbox"/> L1L100-TYP2	10216	80W
	<input type="checkbox"/> L1L120-TYP2	12452	100W
	<input type="checkbox"/> L1L180-TYP2	17499	160W

TYPE	SUFFIX	DELIVERED LUMENS	INPUT WATTS
	<input type="checkbox"/> L1L50-TYP3	5569	40W
	<input type="checkbox"/> L1L80-TYP3	8133	60W
TYPE III	<input type="checkbox"/> L1L100-TYP3	10637	80W
	<input type="checkbox"/> L1L120-TYP3	12965	100W
	<input type="checkbox"/> L1L180-TYP3	18220	160W

TYPE	SUFFIX	DELIVERED LUMENS	INPUT WATTS
	<input type="checkbox"/> L1L50-TYP4	5643	40W
	<input type="checkbox"/> L1L80-TYP4	8240	60W
TYPE IV	<input type="checkbox"/> L1L100-TYP4	10777	80W
	<input type="checkbox"/> L1L120-TYP4	13136	100W
	<input type="checkbox"/> L1L180-TYP4	18449	160W

TYPE	SUFFIX	DELIVERED LUMENS	INPUT WATTS
	<input type="checkbox"/> L1L50-TYP5	5643	40W
	<input type="checkbox"/> L1L80-TYP5	8240	60W
TYPE V	<input type="checkbox"/> L1L100-TYP5	10777	80W
	<input type="checkbox"/> L1L120-TYP5	13136	100W
	<input type="checkbox"/> L1L180-TYP5	18449	160W

#### AMBER

TYPE	SUFFIX	DELIVERED LUMENS	INPUT WATTS
TYPE II	<input type="checkbox"/> L1LK2A-TYP2	2509	47.7W
TYPE III	<input type="checkbox"/> L1LK2A-TYP3	2612	47.7W
TYPE IV	<input type="checkbox"/> L1LK2A-TYP4	2575	47.7W
TYPE V	<input type="checkbox"/> L1LK2A-TYP5	2647	47.7W

#### TUNABLE WHITE\*

	SUFFIX	DELIVERED LUMENS	INPUT WATTS
TYPE II	<input type="checkbox"/> L1LWT	13441	133W
TYPE III	<input type="checkbox"/> L1LWT	13944	133W
TYPE IV	<input type="checkbox"/> L1LWT	13793	133W
TYPE V	<input type="checkbox"/> L1LWT	14179	133W

\*2700K-5000K/80 CRI

#### WARM DIMMABLE\*

	SUFFIX	DELIVERED LUMENS	INPUT WATTS
TYPE II	<input type="checkbox"/> L1LDW	13441	133W
TYPE III	<input type="checkbox"/> L1LDW	13944	133W
TYPE IV	<input type="checkbox"/> L1LDW	13793	133W
TYPE V	<input type="checkbox"/> L1LDW	14179	133W

\*2200K-4000K/80 CRI

### 3 MOUNT

- CK Ceiling
- SPG\* Pendant (cable)
- STM Pendant (stem)
- CAT3 Catenary
- WM Wall mount
- PM Pole mount
- PT<sup>1</sup> Post top\*\*

\* Indoor only

\*\* Compatible with 4" O.D/(100mm) pole (PAA4)

### 4 CCT

#### TEMPERATURE\*

- K27 2700K
- K30 3000K
- K35 3500K
- K40 4000K

\* 80 CRI

### 5 VOLTAGE

#### STANDARD

- 120V
- 208V
- 240V
- 277V

#### OPTIONAL

- 347V
- 480V

### 6 FINISH

#### STANDARD COLORS

- WHT Snow white
- BKT Jet black
- BZT Bronze
- MST Matte silver
- GRT Titanium gray
- DGT Gun metal
- CHT Champagne
- SGT Steel gray
- BGT English cream

#### OPTIONAL COLORS

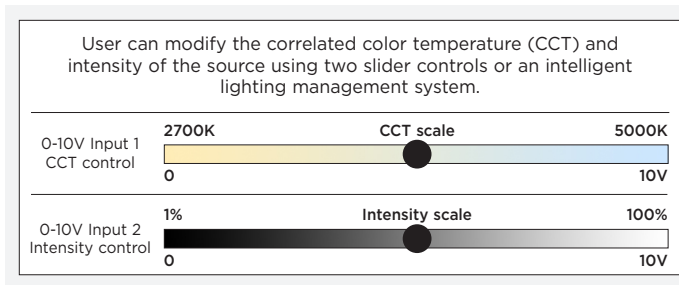
- CS Custom color
- RAL RAL# color

\* Refer to color chart

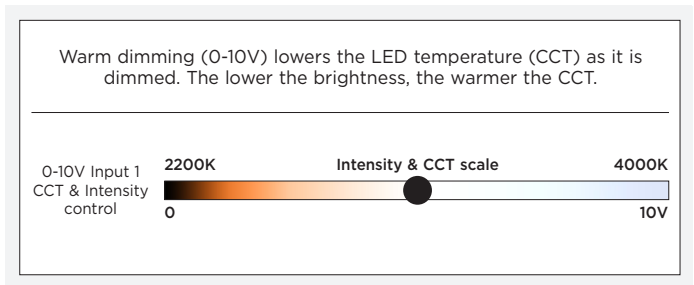


For IDA certification compliance, luminaire must be ordered with 3000K or warmer.

## TUNABLE WHITE



## WARM DIMMING



## OPTIONS

<p><b>SURGE PROTECTOR</b></p> <p><input type="checkbox"/> <b>SP</b> 10kV surge protector</p>	<p><b>FUSE</b></p> <p><input type="checkbox"/> <b>FS</b> Fuse</p>	<p><b>ACCESSORIES</b></p> <p><input type="checkbox"/> <b>HS</b><sup>2</sup> House side shield (LCF 0.8)</p> <p><input type="checkbox"/> <b>SSC</b><sup>3</sup> Set of three stabilizer cables For stem mount only</p>	<p><b>EMERGENCY</b></p> <p><input type="checkbox"/> <b>EMLC</b><sup>4</sup> Integral battery backup for LED, 90 min., 7W integral to luminaire</p> <p><input type="checkbox"/> <b>REML</b> Remote mount battery back for LED 90 min., 7W integral to luminaire</p>
<p><b>CONTROLS</b></p> <p><input type="checkbox"/> <b>NLTAIR</b><sup>5</sup> nLight AIR Control gen2 embedded on housing</p> <p><input type="checkbox"/> <b>NLTAIR-MS</b><sup>8</sup> nLight AIR 2.0 motion sensor module mounted on pole.</p> <p><input type="checkbox"/> <b>RD</b> Remote driver Consult factory</p>	<p><b>PHOTOCELL</b></p> <p><input type="checkbox"/> <b>PH7</b><sup>6</sup> NEMA C136.41 7-PIN receptacle with photocell sensor preinstalled</p> <p><input type="checkbox"/> <b>PHSC</b><sup>6</sup> NEMA C136.41 7-PIN receptacle with shorting cap preinstalled</p>	<p><b>MOTION SENSOR</b></p> <p><input type="checkbox"/> <b>MS</b><sup>7</sup> Motion sensor module, mounted on pole 270° coverage. (Black or white) will be selected to best match fixture color.</p>	<p><b>ENVIRONMENT</b></p> <p><input type="checkbox"/> <b>MG</b> Marine grade paint for harsh, coastal environment and exposure to salt water Longer lead time may apply please contact factory for info</p> <p><input type="checkbox"/> <b>NT</b> Natatorium (only available in WHT and BKT)</p>

### NOTES

- 1- Compatible with 4" O.D. pole only. Compatible with 1/4" or 1/8" wall thickness.
- 2- HS not available on Type V. HS can be installed in the field.
- 3- SSC applicable to STM mount only
- 4- EMLC is integral to luminaire housing. Integral is not suitable under 0°C (32°F) outdoor.
- 5- NLTAIR not compatible with CK. Compatible with SPG, STM, CAT3, WM, PM and PT.
- 6- PH7 and PHSC are not available with CK, SPG, STM and CAT3.
- 7- MS not available with CK, SPG, STM, CAT3, WM mount. Motion sensor module mounted on pole.
- 8- NLTAIR-MS not available with CK, SPG, STM, CAT3, WM mount. Motion sensor nLight air module mounted on pole.

# CT185 SERIES CLERMONT

## MOUNTING DETAILS (FOR EACH)



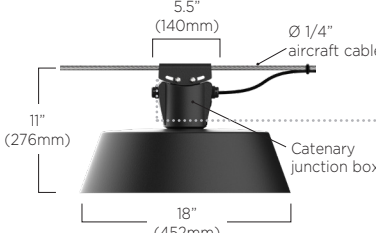
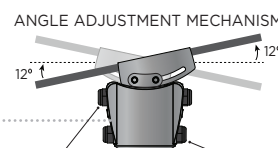
**STEM (STM)**  
Heavy duty 45° hang straight swivel, with Ø 4.5" (114mm) canopy and universal mounting plate. Ø 7/8" x 36" (22mm x 914mm) suspension stem with aircraft safety cable. Other lengths on request (specify STM with desired length).



**AIRCRAFT CABLE (SPG)**  
4/18 X 36" lg. silver braided power cable c/w on site adjustable aircraft cable, consisting of 3 x 36" (610mm) long cables joined Ø 4.5" (114mm) canopy. Other cable length available on request, minimum 18" (total).



**SSC**  
Set of three stabilizer cables. For stem mount only.

**ANGLE ADJUSTMENT MECHANISM**

**Power cable in:**  
3 conductor x 14 gauge AWG. The 2 cable glands located at the top can accommodate a cable ranging from **10mm - 14mm**.

**Control cable in:**  
The 2 cable glands on the bottom can accommodate a cable ranging from **6mm - 11mm**.

**CAT3**  
Cast aluminum catenary junction box with 4 sealed connectors by Luminis and pre-inserted into housing. Ready to accept 1/4" or 1/2" stainless steel suspension cable. Weight: 29.5 lbs (13.4 kg)  
(Structural design, power cable, control cable, stainless steel catenary cable, cable fittings, and fittings for mounting to support structure provided by others.)

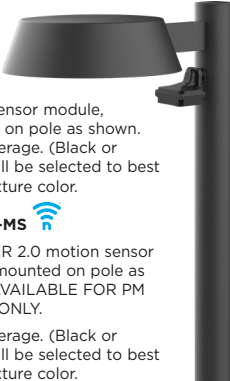
## ELECTRICAL DETAILS




**PHSC**  
7-PIN receptacle with shorting cap option mounted on top of the fixture housing as shown.



**PH7**  
7-PIN receptacle with Photocell option mounted on top of the fixture housing as shown.



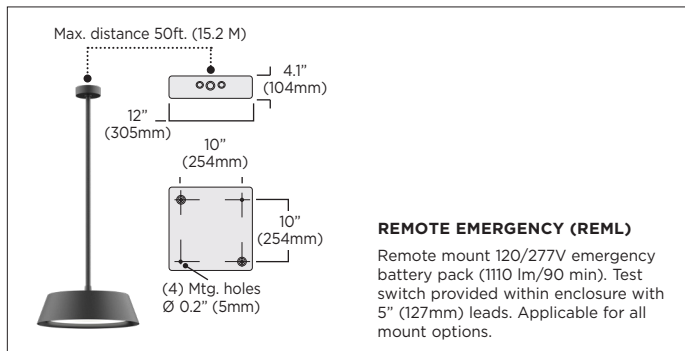
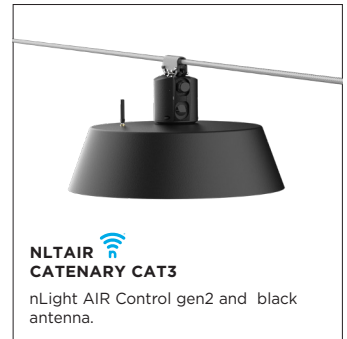
**MS**  
Motion sensor module, mounted on pole as shown. 270° coverage. (Black or white) will be selected to best match fixture color.

**NLTAIR-MS**   
nLight AIR 2.0 motion sensor module mounted on pole as shown. AVAILABLE FOR PM AND PT ONLY.  
270° coverage. (Black or white) will be selected to best match fixture color.



**HS**  
HS House side shield. Field installable. Not available for type V.

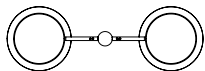
## ELECTRICAL DETAILS



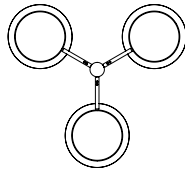
## MULTIPLE LUMINAIRE MOUNTINGS

These following 5 configurations are for reference only. They must be selected with the pole. Refer to the separate pole specification for details.

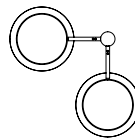
To specify these assemblies: Fixture quantity should be total number of fixture heads, and include the given code on the Luminis pole catalog number.



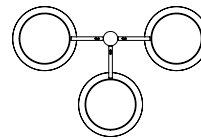
**PM2-180**  
Twin mount  
180° offset  
Installation on 4" and 5" poles



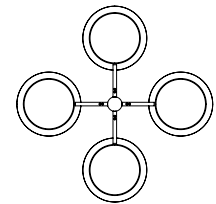
**PM3-120**  
Triple mount  
120° offset  
Installation on 4" and 5" poles



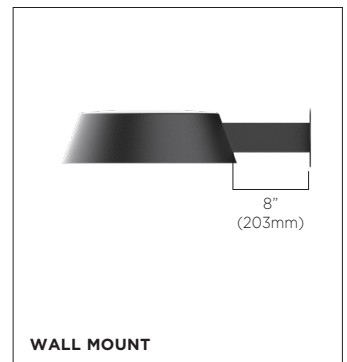
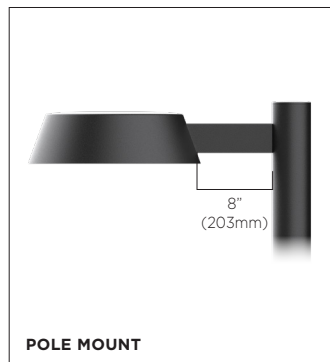
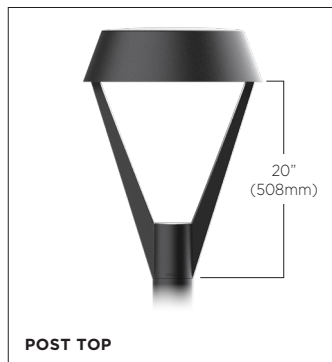
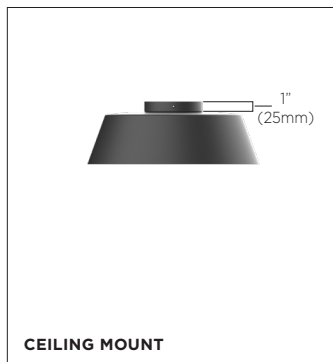
**PM2-90**  
"L" mount  
90° offset  
Installation on 4" and 5" poles



**PM3-90**  
Triple mount  
90° offset mounting  
Installation on 4" and 5" poles

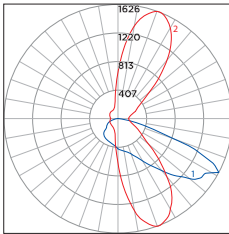
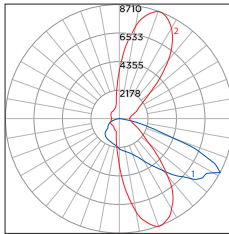
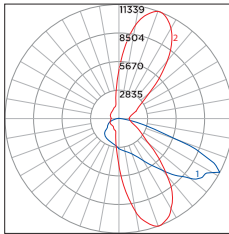
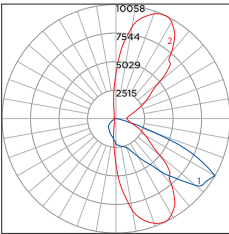
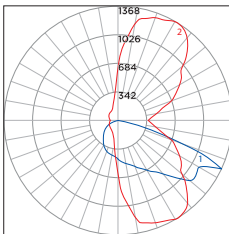
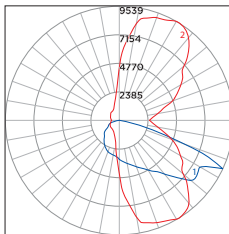
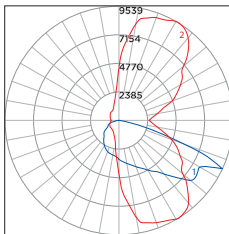
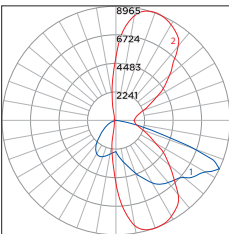
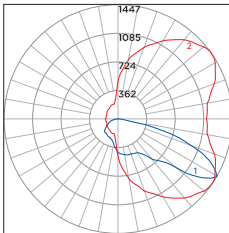
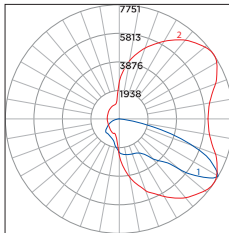
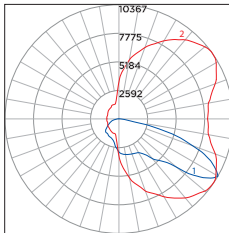
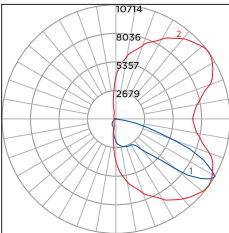
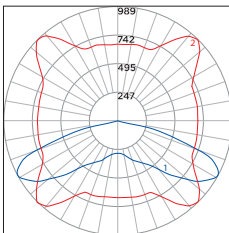
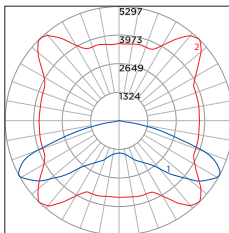
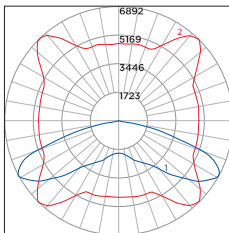


**PM4-90**  
Quad mount  
Installation on 4" and 5" poles



December 2022 Rev. 1

## TYPICAL PHOTOMETRY SUMMARY

	AMBER	TUNABLE WHITE WARM DIMMING	WHITE LED	WHITE LED HOUSE SIDE SHIELD															
<b>TYPE II</b>	 <p><b>CT185-L1LK2A-TYP2</b> Total Lms: 2509 Lumens Total input watts: 47W Efficacy: 54 Lumens/Watt CCT/CRI: Amber Maximum Candela: 1626 68H/62°V BUG: B1-U0-G1</p>	 <p><b>CT185-L1LWT-TYP2/CT185-L1LDW-TYP2</b> Total Lms: 13484 Lumens Total input watts: 133W Efficacy: 101 Lumens/Watt CCT/CRI: 2700K-5000K Maximum Candela: 8710 68H/62°V BUG: B2-U0-G2</p>	 <p><b>CT185-L1L180-TYP2</b> Total Lms: 17499 Lumens Total input watts: 160W Efficacy: 110 Lumens/Watt CCT/CRI: 4000K/80CRI Maximum Candela: 11339 68H/62°V BUG: B2-U0-G2</p>	 <p><b>CT185-L1L180-TYP2-HS</b> Total Lms: 13474 Lumens Total input watts: 160W Efficacy: 84 Lumens/Watt CCT/CRI: 4000K/80CRI Maximum Candela: 10058 65H/60°V BUG: B2-U0-G2</p>															
<b>TYPE III</b>	 <p><b>CT185-L1LK2A-TYP3</b> Total Lms: 2612 Lumens Total input watts: 47W Efficacy: 53 Lumens/Watt CCT/CRI: Amber Maximum Candela: 1368 58H/65°V BUG: B1-U0-G1</p>	 <p><b>CT185-L1LWT-TYP3/CT185-L1LDW-TYP3</b> Total Lms: 13944 Lumens Total input watts: 133W Efficacy: 101 Lumens/Watt CCT/CRI: 2700K-5000K Maximum Candela: 7301 58H/65°V BUG: B2-U0-G2</p>	 <p><b>CT185-L1L180-TYP3</b> Total Lms: 18220 Lumens Total input watts: 160W Efficacy: 110 Lumens/Watt CCT/CRI: 4000K/80CRI Maximum Candela: 9539 58H/65°V BUG: B3-U0-G2</p>	 <p><b>CT185-L1L180-TYP3-HS</b> Total Lms: 15123 Lumens Total input watts: 160W Efficacy: 95 Lumens/Watt CCT/CRI: 4000K/80CRI Maximum Candela: 8965 70H/65°V BUG: B2-U0-G2</p>															
<b>TYPE IV</b>	 <p><b>CT185-L1LK2A-TYP4</b> Total Lms: 2575 Lumens Total input watts: 47W Efficacy: 52 Lumens/Watt CCT/CRI: Amber Maximum Candela: 1447 35H/60°V BUG: B1-U0-G1</p>	 <p><b>CT185-L1LWT-TYP4/CT185-L1LDW-TYP4</b> Total Lms: 13441 Lumens Total input watts: 133W Efficacy: 101 Lumens/Watt CCT/CRI: 2700K-5000K Maximum Candela: 7751 35H/60°V BUG: B2-U0-G2</p>	 <p><b>CT185-L1L180-TYP4</b> Total Lms: 18449 Lumens Total input watts: 160W Efficacy: 109 Lumens/Watt CCT/CRI: 4000K/80CRI Maximum Candela: 10367 35H/60°V BUG: B2-U0-G3</p>	 <p><b>CT185-L1L180-TYP4-HS</b> Total Lms: 13876 Lumens Total input watts: 160W Efficacy: 87 Lumens/Watt CCT/CRI: 4000K/80CRI Maximum Candela: 10714 35H/60°V BUG: B1-U0-G3</p>															
<b>TYPE V</b>	 <p><b>CT185-L1LK2A-TYP5</b> Total Lms: 2647 Lumens Total input watts: 47W Efficacy: 56 Lumens/Watt CCT/CRI: Amber Maximum Candela: 989 135H/62°V BUG: B1-U0-G0</p>	 <p><b>CT185-L1LWT-TYP5/CT185-L1LDW-TYP5</b> Total Lms: 14179 Lumens Total input watts: 133W Efficacy: 107 Lumens/Watt CCT/CRI: 2700K-5000K Maximum Candela: 5297 135H/62°V BUG: B4-U0-G2</p>	 <p><b>CT185-L1L180-TYP5</b> Total Lms: 18449 Lumens Total input watts: 160W Efficacy: 116 Lumens/Watt CCT/CRI: 4000K/80CRI Maximum Candela: 6892 135H/62°V BUG: B4-U0-G2</p>	<p><b>LUMEN CONVERSION FACTOR (LCF)</b></p> <table border="1"> <thead> <tr> <th>CCT</th> <th>LCF</th> <th>CRI</th> </tr> </thead> <tbody> <tr> <td>2700K</td> <td>0.91</td> <td>80</td> </tr> <tr> <td>3000K</td> <td>0.94</td> <td>80</td> </tr> <tr> <td>3500K</td> <td>0.98</td> <td>80</td> </tr> <tr> <td>4000K</td> <td>1.00</td> <td>80</td> </tr> </tbody> </table> <p>All Photometry shown use the Standard 80CRI 4000K LEDs. Please visit our web site <a href="http://www.luminis.com">www.luminis.com</a> for complete I.E.S. formatted download data</p>	CCT	LCF	CRI	2700K	0.91	80	3000K	0.94	80	3500K	0.98	80	4000K	1.00	80
CCT	LCF	CRI																	
2700K	0.91	80																	
3000K	0.94	80																	
3500K	0.98	80																	
4000K	1.00	80																	

December 2022 Rev.1