

TYPE: _____ QUANTITY: _____ PROJECT: _____

CATALOG NUMBER:

MODEL LED LIGHT SELECTION CCT HEIGHT VOLTAGE FINISH OPTION OPTION

- 1- Aluminum top cover.
- 2- Corrosion resistant diecast aluminum housing.
- 3- Integrated standard 0-10V driver (dim to <10%).
- 4- Precision LEDs with individual lenses for downlight asymmetric light.
- 5- Clear tempered glass.
- 6- Sealed enclosure with durable gaskets.
- 7- 9.5" (241mm) x 3.2" (81mm) extruded aluminum rectangular body.
- 8- All hardware in aluminum and stainless steel.

SN825B



MATERIALS

Scena is made of 6063-T6 extruded aluminum alloy and aluminum diecast offering exceptional precision and durability. The main housing is perfectly sealed with durable gaskets. The integrated LED light module and 0-10V driver are protected by a clear tempered glass. With a distinctive look and perceptible quality, Scena is designed for uniform lighting performance.

ELECTRICAL

DRIVER Standard driver is 0-10V dimming-ready (dims to <10%) with: 120-277 multi-volt compatibility (50-60Hz), operating temperature range of -30°C/-22°F to 60°C/140°F, over current and output short circuit protection.

LED Offered in 2700K, 3000K, 3500K & 4000K / 80CRI. Optional true amber LED for turtle sensitive areas. Wavelengths: 609nm to 620nm.

LIFETIME

60,000hrs L₇₀B₅₀ (based on LM-80 report for lumen maintenance).

FINISH

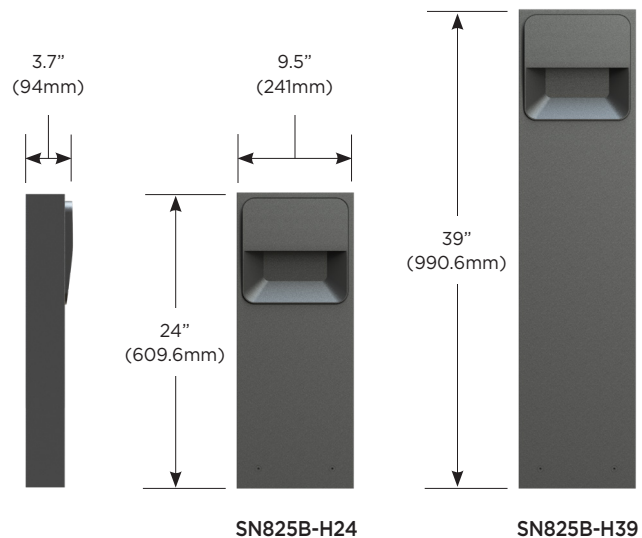
Five-stage preparation process includes preheating of cast aluminum parts for air extraction. Polyester powder coating is applied through an electrostatic process, and oven cured for long term finish.

CERTIFICATION

Certified and Approved as per CSA C22.2 No.: 250.0 standard and ANSI/UL 1598 standard, for wet location. Rated IP65. Photometric testing performed by an independent laboratory in accordance with IES LM-79-08 standards at 25°C. Lumen depreciation in accordance with IESNA LM80 standards.


MOUNTING

Maximum weight: 24" 17 lbs (7.7 kg) / 39" 23.4 lbs (10.6 kg)
Scena bollard is designed for ease of access and installation. The base plate is secured with a set of (4) 3/8"-16 x 10" lg. galvanized bent anchor bolts. See page 2 for pole base mounting details.



LUMINAIRE SELECTION

1 MODEL	2 LED LIGHT SELECTION	3 CCT °K LED	4 BOLLARD HEIGHT	5 VOLTAGE	6 FINISH
----------------	------------------------------	---------------------	-------------------------	------------------	-----------------



SN825B

WHITE LED SELECTION

SUFFIX	DELIVERED LUMENS*	INPUT WATTS
<input type="checkbox"/> L1L5	553	12W
<input type="checkbox"/> L1L8	817	19W

*4000K / 80CRI

AMBER LED LIGHT SELECTION - TURTLE FRIENDLY

SUFFIX	DELIVERED LUMENS*	INPUT WATTS
<input type="checkbox"/> L1L2A	221	7W

*80CRI

OPTION	HEIGHT
<input type="checkbox"/> K27 2700K*	
<input type="checkbox"/> K30 3000K*	
<input type="checkbox"/> K35 3500K*	
<input type="checkbox"/> K40 4000K*	
<input type="checkbox"/> H24 24"	
<input type="checkbox"/> H39 39"	

*80CRI

VOLTAGE
<input type="checkbox"/> 120V
<input type="checkbox"/> 208V
<input type="checkbox"/> 240V
<input type="checkbox"/> 277V

STANDARD COLORS*

- WHT Snow white
- BKT Jet black
- BZT Bronze
- MST Matte silver
- GRT Titanium gray
- DGT Gun metal
- CHT Champagne
- SGT Steel gray
- BGT English cream

OPTIONAL COLORS

- CS Custom color
- RAL RAL# color

*Refer to color chart



For IDA certification compliance, luminaire must be ordered with 3000K or warmer.

OPTIONS

PHOTOCELL

- PH Thermal button photocell mounted on backside (as shown on image). Instant turn-on, standard 5-10 second turn-off time delay.

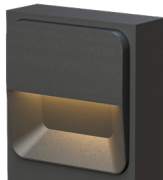
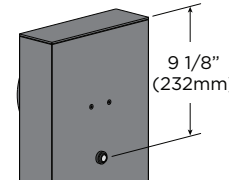
ENVIRONMENT

- MG Marine grade paint¹
- NT Natatorium (only available in WHT and BKT)

FAUX WOOD COLORS²

- | | |
|---|---------------------------------------|
| <input type="checkbox"/> ADG American douglas | <input type="checkbox"/> MPL Maple |
| <input type="checkbox"/> BRC Birch | <input type="checkbox"/> OFL Oak |
| <input type="checkbox"/> CHN Chestnut | <input type="checkbox"/> RSW Rosewood |
| <input type="checkbox"/> CRY Cherry | <input type="checkbox"/> TEK Teak |
| <input type="checkbox"/> KNP Knotty pine | <input type="checkbox"/> WLN Walnut |

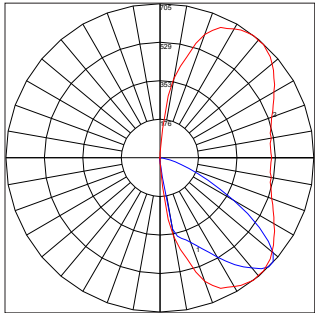
OPTION DETAILS

 <p>TRUE AMBER LED Optional amber LED for turtle sensitive areas. It protects local habitat and promotes sustainability.</p>	 <p>PH Thermal button photocell mounted on backside. Instant turn-on, standard 5-10 second turn-off time delay.</p>
--	--

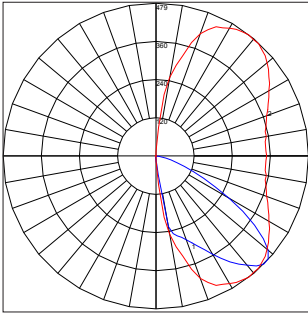
NOTES

- 1- Marine grade paint for harsh, coastal environment and exposure to salt water. Additional delay required please contact factory for info.
- 2- Faux wood finish not applied to fixture head. Not compatible with marine grade paint.

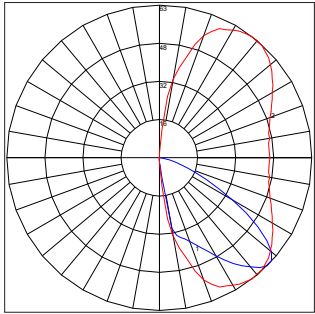
TYPICAL PHOTOMETRY SUMMARY



SN825B-L1L8
 Total Lms: 817 Lumens
 Total Input Watts: 18 W
 Efficacy: 44.2 Lumens/Watt
 CCT/CRI: 4000K/80
 Max. Candela: 705 @ 52.5°H/45°V
 BUG: B0-U0-G0'



SN825B-L1L5
 Total Lms: 553 Lumens
 Total Input Watts: 12.2 W
 Efficacy: 45.5 Lumens/Watt
 CCT/CRI: 4000K/80
 Max. Candela: 479.4 @ 52.5°H/45°V
 BUG: B0-U0-G0'



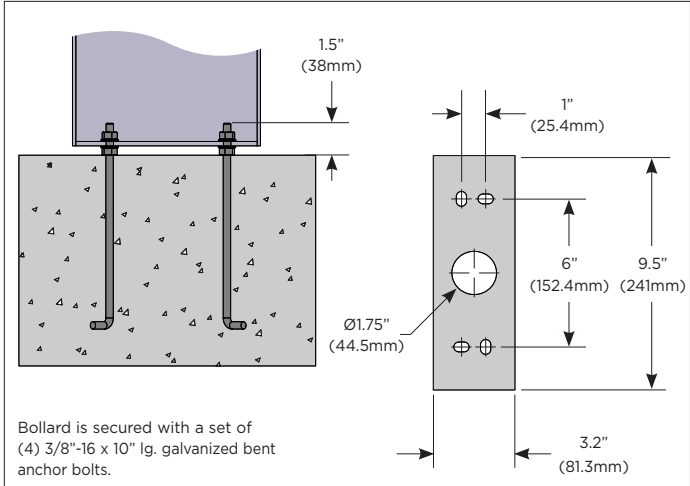
SN825-L1LK2A
 Total Lms: 221 Lumens
 Total Input Watts: 6.8 W
 Efficacy: 32.5 Lumens/Watt
 CCT/CRI: Not applicable
 Max. Candela: 190.35 @ 52.5°H/45°V
 BUG: B0-U0-G0'

LUMEN CONVERSION FACTOR (LCF)

CCT	LCF	CRI
2700K	0.91	80
3000K	0.92	80
3500K	0.96	80
4000K	1.00	80

All Photometry shown use the Standard 80CRI 4000K LEDs.
 Please visit our web site www.luminis.com for complete I.E.S. formatted download data

MOUNTING INFORMATION



NOTES
 1- Tested with Jet Black paint (BKT)

