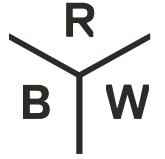


Pastille 1 Wayfind

Sconces



50 Greene St
New York NY 10013
T +1 212 388 1621
sales@rbw.com



For 2D & 3D drawings of all products, including CAD, Revit and IES files, please visit rbw.com

Generate Date: Thu Jan 06 2022

DESCRIPTION

Pastille's design echoes the Art Deco sensibilities of Old Hollywood. The collection offers mix-and-match options for custom installation, including either a droplet profile or faceted pattern for the glass globe, with various finishes for an accent ring or backplate.

MATERIALS

Opal glass, aluminum or steel

COLLECTION NOTES

Custom hand painting and braille solutions are available for the Pastille collection. Inquire with sales@rbw.com.

PERFORMANCE

430 lm

Power Consumption 7.5W

Luminaire Watts 7.5W

57.5 lm/W

90 CRI

LED LIFESPAN

50k hours

PATENT FILE NUMBER

Patent Number D935,085,187451, 006433652-0001, GB90064336520002

CERTIFICATION

ADA Compliant

UL Listed

Suitable for Damp Locations

IP20

IP65

**PRODUCT DIMENSIONS**

13 L x 6 W x 4 in D

PRODUCT WEIGHT

1 lbs / 0.5 kg

DIMENSIONAL WEIGHT

7 lbs

YOUR PRODUCT CODE

PAS-1W- - - - - - -

Specification Logic

DIFFUSER STYLE (GLOBE)

Droplet	D
Faceted	F
Ribbed	R

BACKPLATE FINISH

Matte White Fine Texture	PC20
Silk Grey	PC25
Matte Black	PC30
Breccia	PC31
Vermillion	PC42
Custom Powder Coat	PCXX
Polished Chrome	PF13
Satin Brass	PF17
Custom Plated Finish	PFFX

COLOR TEMPERATURE

2200K (Candle Light)	22
2700K (warm white)	27
3000K (soft white)	30
3500K (neutral white)	35

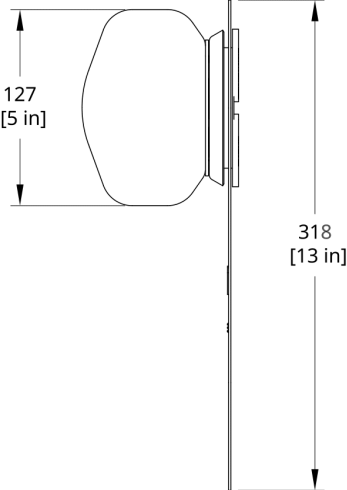
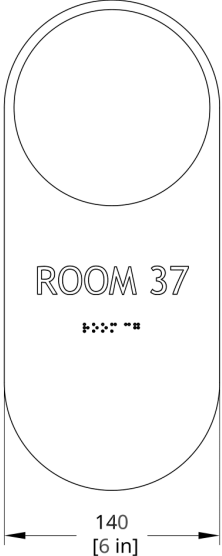
INPUT / CONTROL / POWER

110-120V Input TRIAC Control 10% dimming	120_TR_LINE
110-120V Input TRIAC / ELV / 0-10, 1% dimming	120_TM_DEX
220-240V Input 0-10V, 1% dimming	220_10_DEX
220-240V Input ELV Reverse Phase, 1% dimming	220_ELV_DEX
220-240V Input TRIAC / Forward Phase, 1% dimming	220_TR_DEX
110-277V Input 0-10V, 0.1% dimming	277_10_DEX
110-277V Input DALI, 0.1% dimming	277_DL_DEX

IP RATING

IP20 Rated	IP20
IP65 Rated	IP65

Drawings



PAS-1W Pastille Wayfind Sconce Dimension