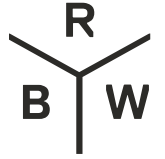
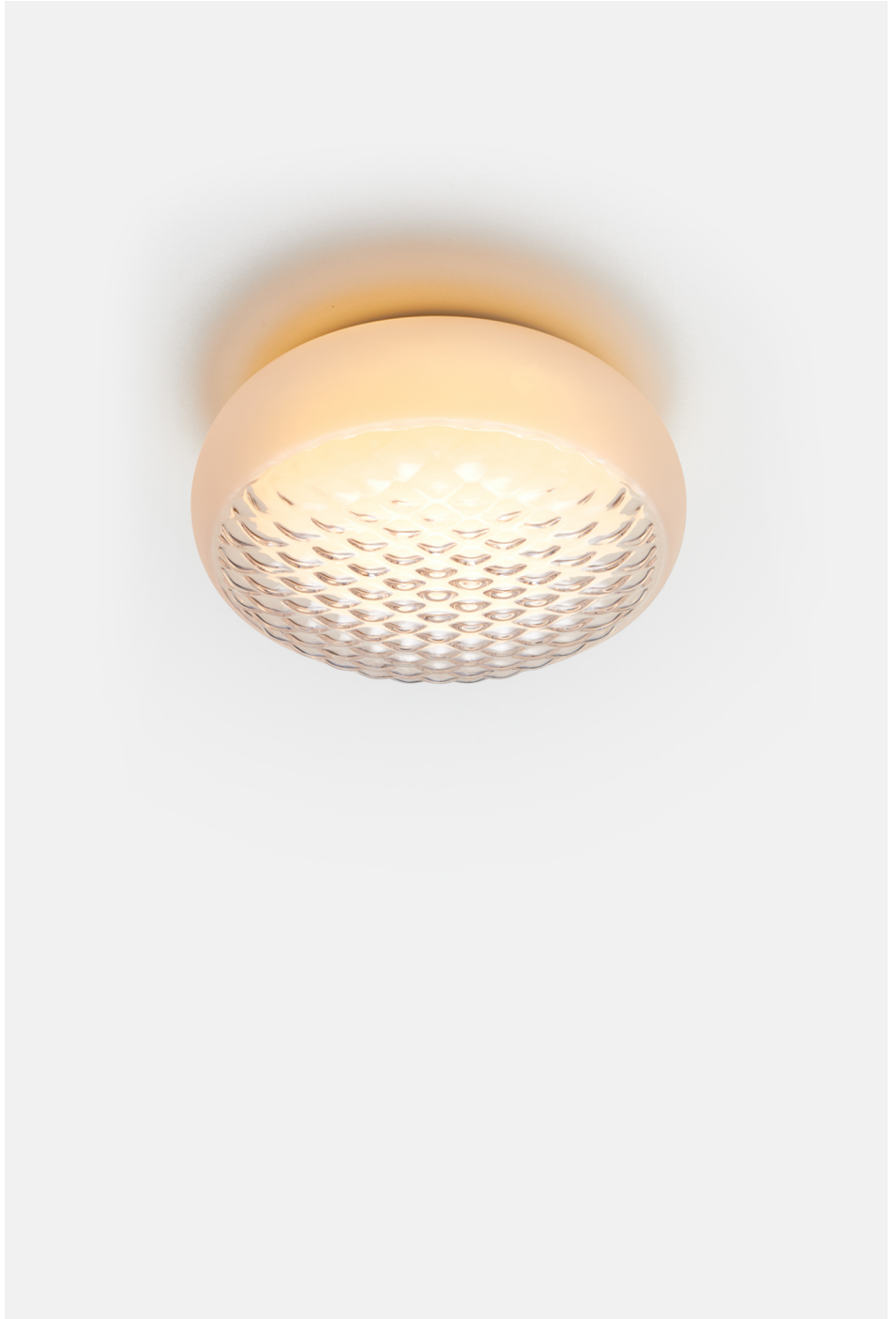


Print Flush Mount

Ceiling Flush Mounts



50 Greene St
New York NY 10013
T +1 212 388 1621
sales@rbw.com



For 2D & 3D drawings of all products, including CAD, Revit and IES files, please visit rbw.com

Generate Date: Mon Dec 20 2021

DESCRIPTION

With high-performance LEDs enclosed in a unique, prismatic shade, Print is the classic globe, elevated. Its striking surface, achieved by acclaimed designer Sylvain Willenz, is imprinted with a diamond texture that creates an understated, sparkling play of light.

MATERIALS

Glass, PET Plastic, Aluminum

COLLECTION NOTES

Print sconce & flush mount with small globe are ADA compliant, the fixtures with large globes are not.

PERFORMANCE

Large Glass Globe 1337 lm | Large PET Globe 1449 lm | Small Glass Globe 394 lm | Small PET Globe 576 lm

Large 19.7W | Small 8W

8W

Large Glass Globe 67.4 lm/W | Large PET Globe 73.1 lm/W | Small Glass Globe 49.6 lm/W | Small PET Globe 72.4 lm/W

Minimum 90 CRI

LED LIFESPAN

50k hours

PATENT FILE NUMBER

Patent Number 008636773-0001, 008636773-0001, 6151348, 6151349, 6151350

CERTIFICATION

ADA Compliant

UL Listed

CE

Suitable for Wet Locations

IP65



PRODUCT DIMENSIONS

Large Globe 16"D x 12"H | Small Globe 8"D x 4"H

Generate Date: Mon Dec 20 2021

PRODUCT WEIGHT

6.5 lbs / 3 kg

DIMENSIONAL WEIGHT

Large 45.5 lb | Small 18.6 lb

YOUR PRODUCT CODE

PRFM- - - - - - -

Specification Logic

GLOBE

Small Globe	A
Large Globe	B

DIFFUSER FINISH

Clear/Frosted Glass	CF
Frosted PET	P2

MODULE FINISH

Matte White	PC20
-------------	------

COLOR TEMPERATURE

2700K (warm white)	27
3000K (soft white)	30
3500K (neutral white)	35
4000K (cool white)	40

INPUT / CONTROL / POWER

110-120V Input TRIAC / ELV / 0-10, 1% dimming

120_TM_DEX

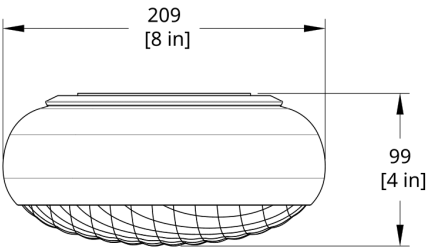
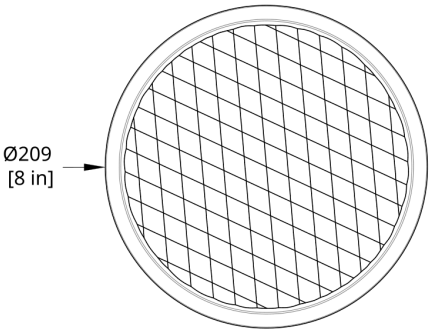
110-277V Input 0-10V, 0.1% dimming

277_10_DEX

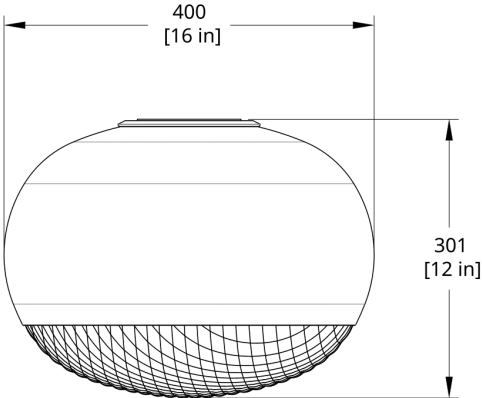
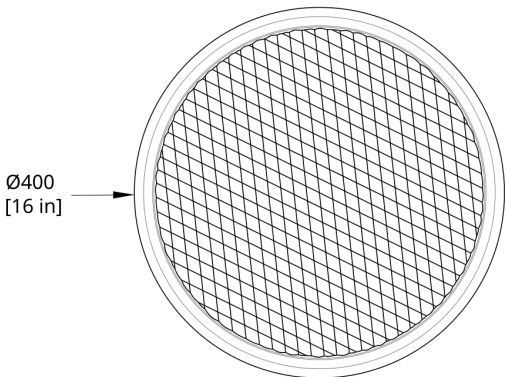
110-277V Input DALI, 0.1% dimming

277_DL_DEX

Drawings



PRFM-A Print Flush Mount Small



PRFM-B Print Flush Mount Large