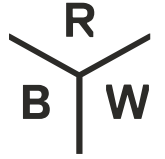


Print Pendant



Pendants

50 Greene St
New York NY 10013
T +1 212 388 1621
sales@rbw.com



For 2D & 3D drawings of all products, including CAD, Revit and IES files, please visit rbw.com

Generate Date: Mon Dec 20 2021

DESCRIPTION

With high-performance LEDs enclosed in a unique, prismatic shade, Print is the classic globe, elevated. Its striking surface, achieved by acclaimed designer Sylvain Willenz, is imprinted with a diamond texture that creates an understated, sparkling play of light.

MATERIALS

Glass, PET Plastic, Aluminum

COLLECTION NOTES

Print sconce & flush mount with small globe are ADA compliant, the fixtures with large globes are not.

PERFORMANCE

Glass Globe 1337 lm | PET Globe 1449 lm

19.7W

8W

Glass Globe 67.4 lm/W | PET Globe 73.1 lm/W

Minimum 90 CRI

LED LIFESPAN

50k hours

PATENT FILE NUMBER

Patent Number 008636773-0001, 008636773-0001, 6151348, 6151349, 6151350

CERTIFICATION

ADA Compliant

UL Listed

CE

Suitable for Wet Locations

IP65



SUSPENSION

White 7" round deep canopy

Standard 72" cable or white stem. Standard Hang Height 66". Minimum Hang Height 6" for cable or 14" for stem

Cable and stem extension available (up to 150"). Field trimmable

PRODUCT DIMENSIONS

Large Globe 16"D x 12"H

PRODUCT WEIGHT

8.3 lbs / 3.8 kg

DIMENSIONAL WEIGHT

45.5 lb

YOUR PRODUCT CODE

PRP- [] - [] - [] - [] - [] - [] - [] - []

Specification Logic

MOUNTING

Cable Suspension	CS
Stem Mount	ST

GLOBE

Large Globe	B
-------------	---

DIFFUSER FINISH

Clear/Frosted Glass	CF
Frosted PET	P2

MODULE FINISH

Matte White	PC20
-------------	------

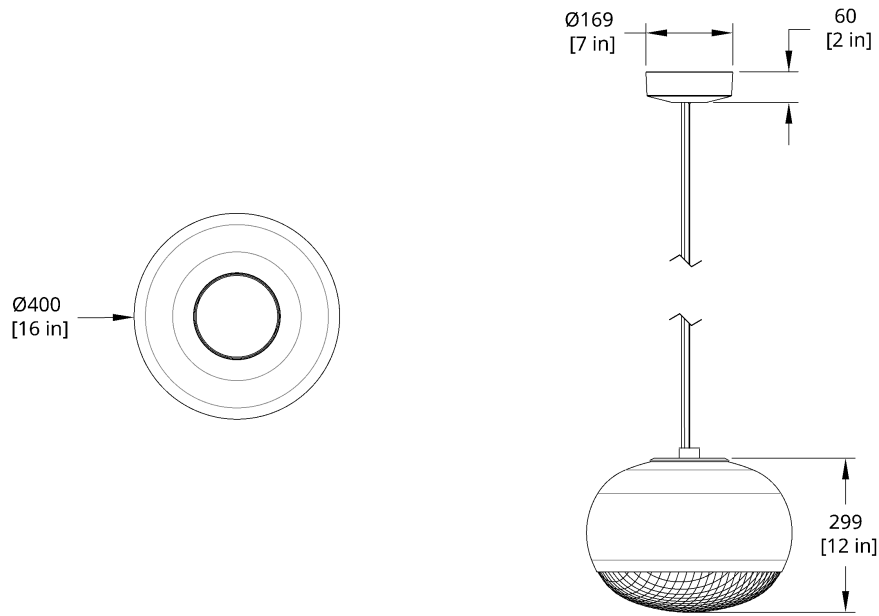
COLOR TEMPERATURE

2700K (warm white)	27
3000K (soft white)	30
3500K (neutral white)	35
4000K (cool white)	40

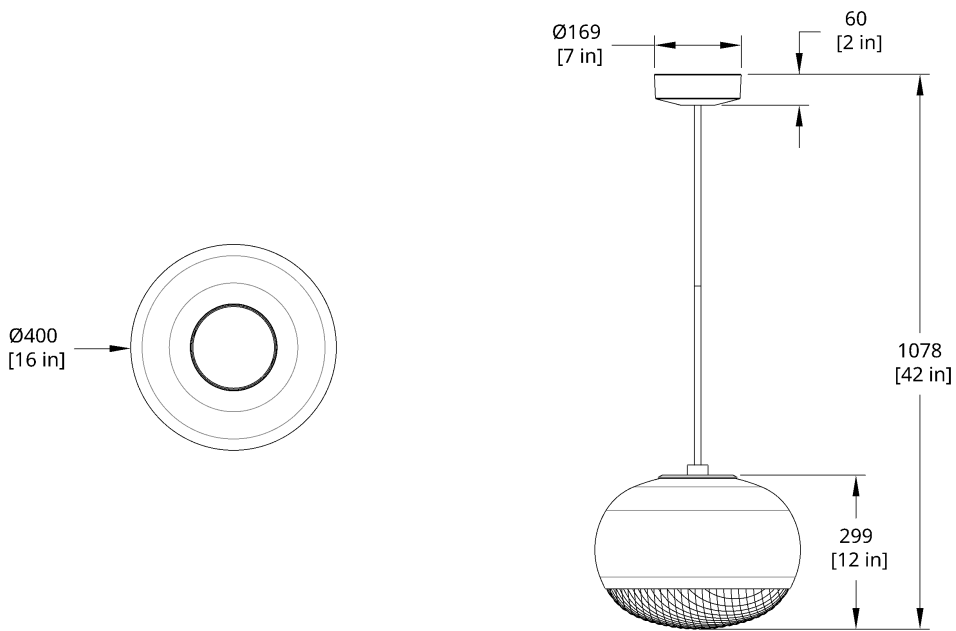
INPUT / CONTROL / POWER

110-120V Input TRIAC / ELV / 0-10, 1% dimming	120_TM_DEX
110-277V Input 0-10V, 0.1% dimming	277_10_DEX
110-277V Input DALI, 0.1% dimming	277_DL_DEX

Drawings



PRP-CS-B Print Pendant Cable Suspension



PRP-ST-B Print Pendant Stem Mount