

PSY414 LED

637-5620

1/3

we-ef



Description

IP66, Class I, IK10. Marine-grade, die-cast aluminium alloy. 5CE superior corrosion protection including PCS hardware. Silicone CCG® Controlled Compression Gasket. Polycarbonate main lens. Integral EC electronic converter in thermally-separated compartment. CAD-optimised optics for superior illumination and glare control. Factory installed LED circuit board. Pre-wired post complete with cable connecting box and fuse for mains connection.

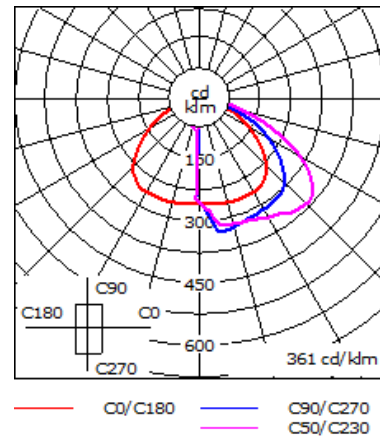
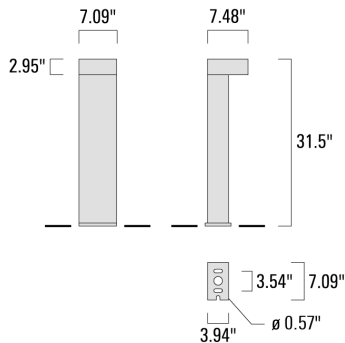
Beam Type	rectangular, forward-throw beam [R45]
Light Source	LED-3/6W / 700 mA - 3000 K
CRI	80
Gear Type	electronic gear
Nominal Luminous Flux (lm)	
LED Lumens	246 lm
LEDs	3
Total Lumens	738 lm
Tj	85 °C
Delivered Lumens Flux (lm)	
LED Lumens	184 lm
Total Lumens	552.1 lm
Ta	25 °C
Rated Input Power	7.7 W

PSY414 LED

637-5620

2/3

we-ef




Material Specification

Body: Marine-grade, all-aluminium construction. Pole section features galvanised steel reinforcement core

Weight (lbs): 29.76

Colours:

- RAL9004 Black
- RAL9007 Grey Metallic
- RAL9016 White
- RAL8019 Dark Bronze

 **Lightspeed** Need Fixtures Fast? Ask for LIGHTSPEED. LIGHTSPEED features a 5-day dispatch guaranteed on CORE products, or 25% back! Our CORE Products include 80+ subfamilies, available in 4 standard finishes. Standard dispatch of CORE products is 2-weeks. Maximum order quantities apply.

Gasket: Silicone CCG® Controlled Compression Gasket

Fasteners: PCS hardware

Ingress protection: IP66

Impact protection: IK10

Corrosion protection: 5CE

Listings: ETL Listed. Suitable for wet locations.

Electrical Specification

Power supply: 120-277V / 50-60 Hz

Driver / Ballast: Integral EC electronic converter

PSY414 LED

637-5620

3/3

BUG Rating:

B0 U0 G0

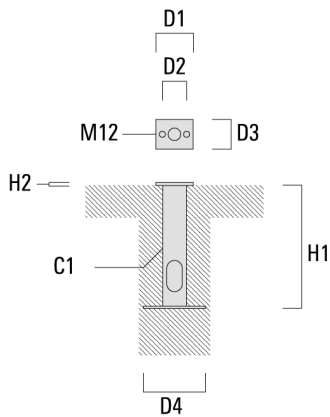
we-ef

Mounting Accessories

Planted root

Planted root made from hot dipped galvanized steel. Includes mounting hardware.

	C1	D1	D2	D3	D4	H1	H2	Weight (lbs)
■ 637-9301 Planted root ESV2	2.99	4.72	3.54	3.74	7.87	15.75	0.39	8.37 lbs



Control

DALI interface

DALI interface

■ **430-0013** DALI interface