

# PSY414 LED

637-5625

1/3

**we-ef**



## Description

IP66, Class I, IK10. Marine-grade, die-cast aluminium alloy. 5CE superior corrosion protection including PCS hardware. Silicone CCG® Controlled Compression Gasket. Polycarbonate main lens. Integral EC electronic converter in thermally-separated compartment. CAD-optimised optics for superior illumination and glare control. Factory installed LED circuit board. Pre-wired post complete with cable connecting box and fuse for mains connection.

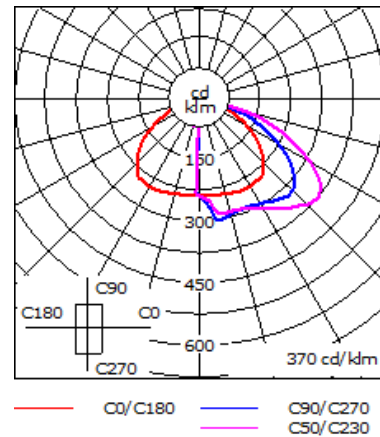
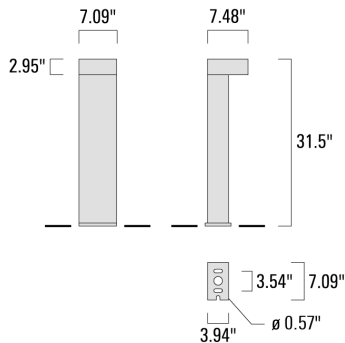
<b>Beam Type</b>	rectangular, forward-throw beam [R45]
<b>Light Source</b>	LED-3/13W/1400 mA - 4000 K
<b>CRI</b>	80
<b>Gear Type</b>	electronic gear
<b>Nominal Luminous Flux (lm)</b>	
LED Lumens	575.7 lm
LEDs	3
Total Lumens	1727 lm
Tj	85 °C
<b>Delivered Lumens Flux (lm)</b>	
LED Lumens	425.5 lm
Total Lumens	1276.5 lm
Ta	25 °C
<b>Rated Input Power</b>	16 W

# PSY414 LED

637-5625

2/3

**we-ef**



## Material Specification

Body: Marine-grade, all-aluminium construction. Pole section features galvanised steel reinforcement core

Weight (lbs): 29.76

Colours:

- RAL9004 Black
- RAL9007 Grey Metallic
- RAL9016 White
- RAL8019 Dark Bronze

⌚ Lightspeed Need Fixtures Fast? Ask for LIGHTSPEED. LIGHTSPEED features a 5-day dispatch guaranteed on CORE products, or 25% back! Our CORE Products include 80+ subfamilies, available in 4 standard finishes. Standard dispatch of CORE products is 2-weeks. Maximum order quantities apply.

Gasket: Silicone CCG® Controlled Compression Gasket

Fasteners: PCS hardware

Ingress protection: IP66

Impact protection: IK10

Corrosion protection: 5CE

Listings: ETL Listed. Suitable for wet locations.

## Electrical Specification

Power supply: 120-277V / 50-60 Hz

Driver / Ballast: Integral EC electronic converter

# PSY414 LED

637-5625

3/3

## BUG Rating:

B0 U0 G1

**we-ef**

---

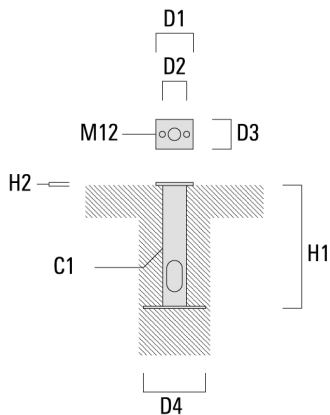
## Mounting Accessories

---

### Planted root

Planted root made from hot dipped galvanized steel. Includes mounting hardware.

	C1	D1	D2	D3	D4	H1	H2	Weight (lbs)
■ <b>637-9301</b> Planted root ESV2	2.99	4.72	3.54	3.74	7.87	15.75	0.39	8.37 lbs



---

## Control

---

### DALI interface

DALI interface

---

■ **430-0013** DALI interface